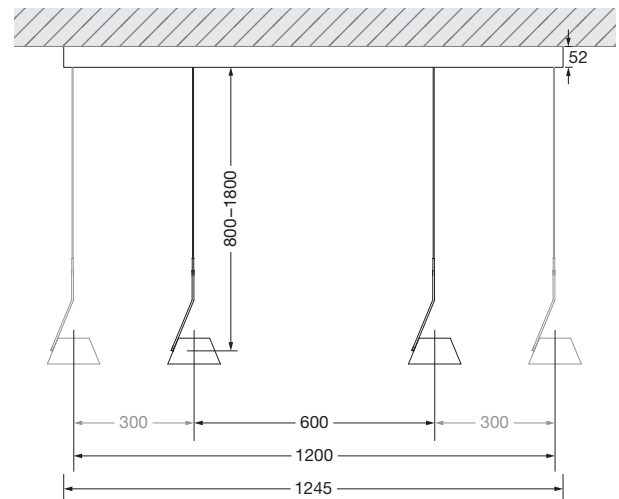


lei linea due 120 Datasheet

LED suspended luminaire with two spherical heads. Movable in any direction thanks to Occhio 3D kinematics with two pivots set at an angle of 22.5° to each other; operation via heat-insulated luminaire shade; head can be taken off for configuration and maintenance; replaceable LED. Lighting effect can be changed through adjustable iris diaphragm; alternatively, an insert with soft-edge glass can be used for a diffused lighting effect; matt white or translucent luminaire shade. Power per head: 9 W. Surface combinations of diaphragm/cover and stem can be configured as desired.

Switchable and dimmable via a sensor button on the rear of the head (can be deactivated). The luminaire heads are synchronised via an internal control line. Ceiling canopy with integrated converter for mounting on plaster surfaces; connection to 230 V; externally dimmable via trailing-edge phase cut dimmer*.



Canopy width: 45 mm

Luminaire material
aluminium, chrome-plated, painted or anodised steel, plastic

Insert material
optical plastic, Glass

Surface aperture, cover, base
chrome, matt chrome, glossy white (bianco), matt white, glossy black (nero), matt black, gold (only aperture, cover)

Body surface
chrome, matt chrome, matt white, matt black

Canopy surface
matt white

Height adjustment
integrated in ceiling canopy

Head turning range
360°

Body turning range
360° (with stop)

Weight
max. 2,9 kg

Dimming
via sensor button on rear of head or via trailing-edge phase-cut dimmer*

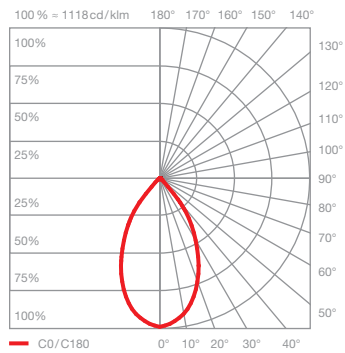
Power supply unit
integrated, operation via 230 V AC

Occhio LED

		high color		high flux					
Average life time	t	> 50.000 hrs	Color rendering index	CRI	Ra 95	Ra 95	Ra 85	Ra 85	Ra 85
Efficiency class	EEK	A++/A+	Color temperature	T	2700 K	3000 K	3000 K	3500 K	4000 K
Power	P	2x9 W	Recommended use	Residential and commercial			Commercial		
LED luminous flux	ø	900 lm	900 lm	1100 lm	1100 lm	1100 lm	1100 lm	1100 lm	1100 lm

* For a list of compatible dimmers, see www.occhio.de/dim_en

lei linea due 120 Lighting effects

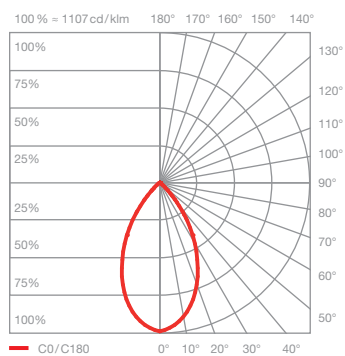


lei

directed light
beam angle approx. 60°

insert: iris

luminous flux:	high color	2 x 9 W	610 lm
	high flux	2 x 9 W	740 lm



lei SE

directed light with soft contour of the beam angle
beam angle approx. 60°

insert: soft edge glass

luminous flux:	high color	2 x 9 W	560 lm
	high flux	2 x 9 W	680 lm

lei linea due 120 Article numbers

iris for flexibly setting direct and ambient light proportions

SE version with soft edge glass for fixed proportions of direct and ambient light

incl. »next generation« LED, power 9W, switchable and dimmable via sensor button on the rear side of the head or via trailing-edge phase cut dimmer*

with integrated converter for surface - mount installation on solid ceiling

⊕ the luminaire heads are synced via an internal control line

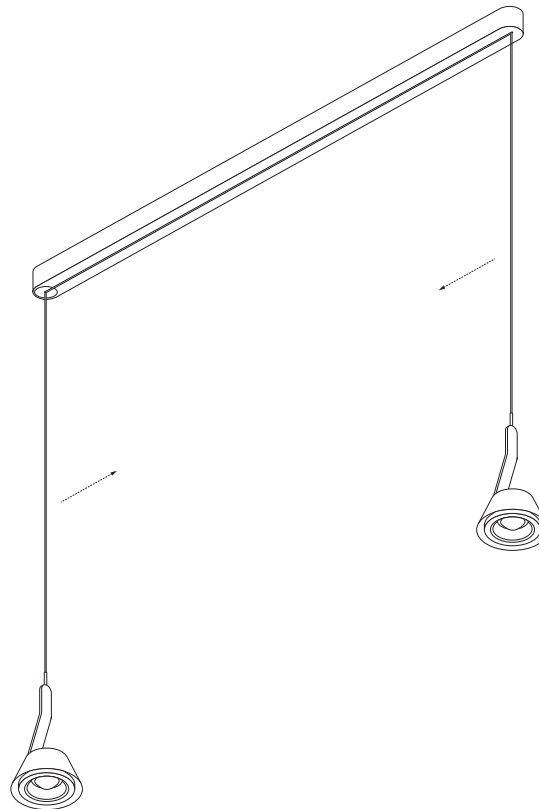
⊙ version with longer cable length on request

two heads connection 22,5°, ø 130 mm, H 65 mm, 360° rotatable, changeable

bodies distance 600–1200 mm, adjustable
cable length 800–1800 mm, adjustable, 360° rotatable
height adjustment integrated in ceiling canopy

ceiling canopy: L 1245 × W 45 × H 52 mm

single-colored versions	color code
chrome	C C W
matt chrome	M M W
matt white	W W W
matt black	S S W
bicolored versions	
glossy white – matt white	B W W
glossy white – glossy chrome	B C W
glossy black – matt black	N S W
glossy black – glossy chrome	N C W
gold versions	
gold – matt white	G W W
gold – matt black	G S W
ring/cover + body + canopy	- - -



version

high color
CRI 95, 2700 K

linea

5U58120W _ _ _

linea SE

5U58129W _ _ _

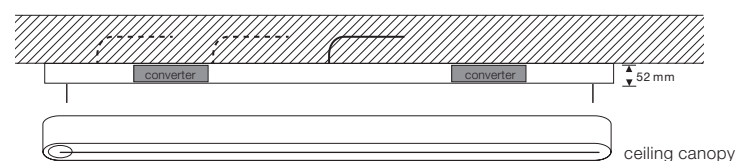
also available as »high flux« version with alternative color temperatures

please add color code

linea

ceiling canopy with integrated converter
for surface - mount installation on solid ceiling

variable wiring position



analog for all linea versions

* compatible dimmers: www.occhio.de/dim_en

⊙ build to order: longer time of delivery